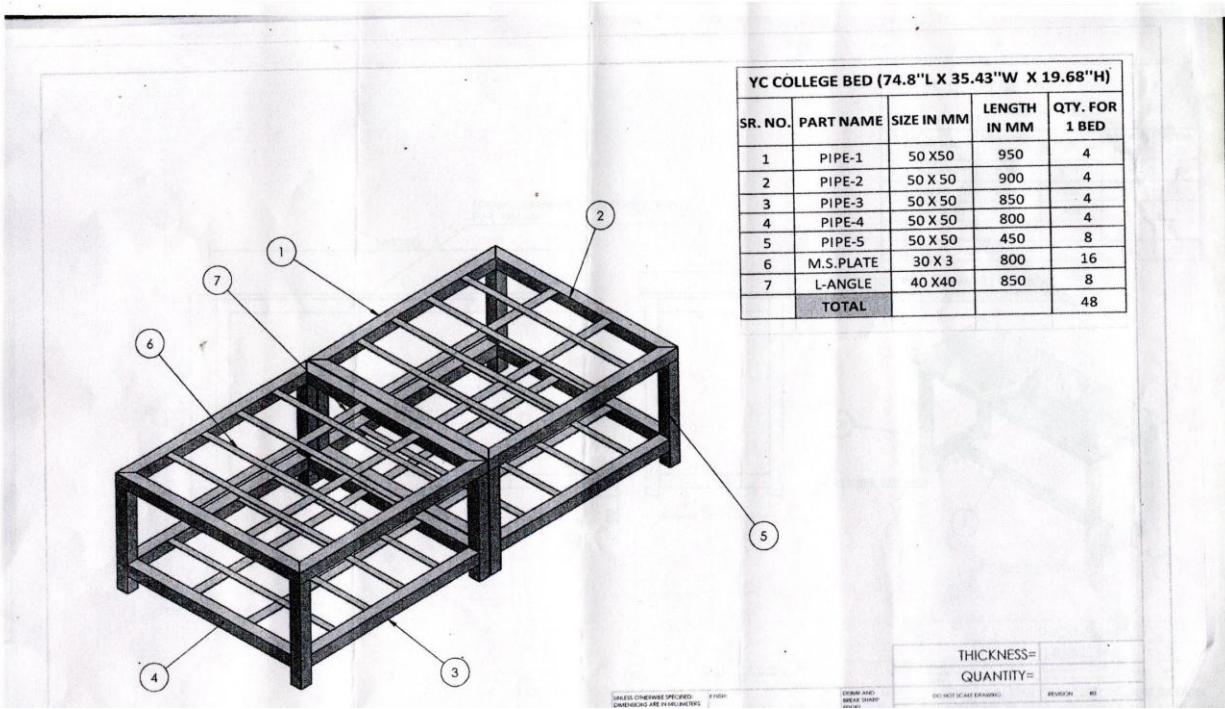


### Boys Hostel Tender Requirement

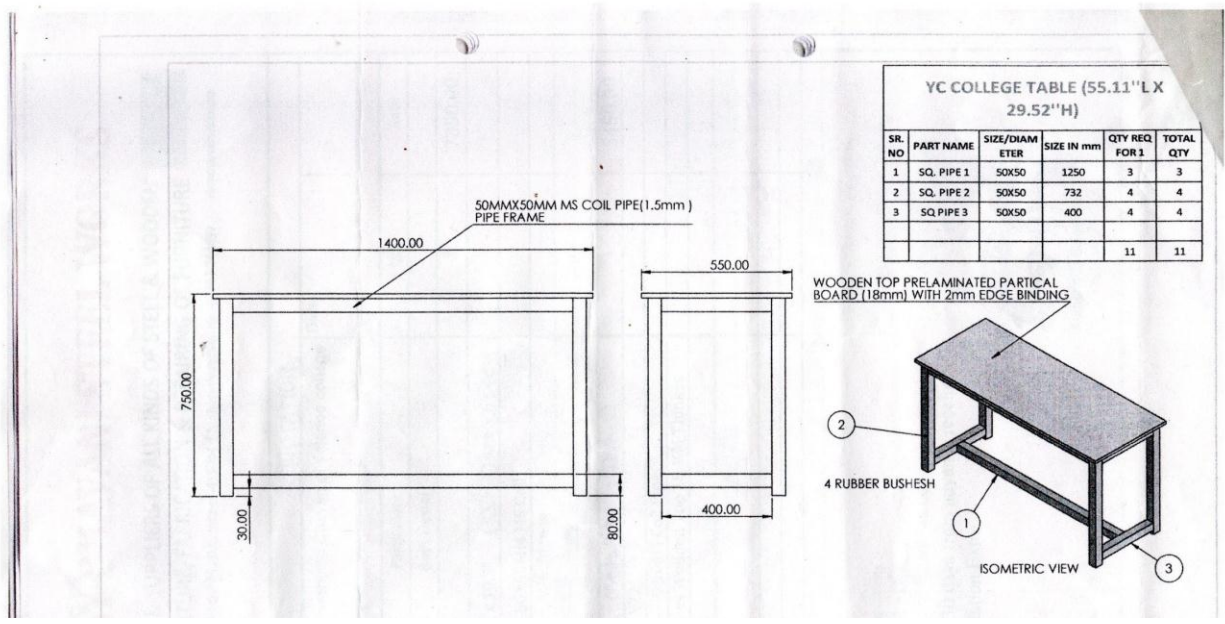
Sr.No	Particulars	Qty	Rate including GST
1	Bed metal Size 78" x 36" x 19.5" (in two pices)		
	Specification 50x50mm MS Coil		
	Ms Coil pipe 1.5mm thiknes		
	30mm Ms falat 40x40 L Angal		
2	Study Table metal & Ply top		
	Size 55"x29"x22"		
	Specification 50x50mm MS Coil pipe		
	1.30mm Thiknes wodden top 18mm thiknes		
3	Visitor Chair BC853A Model 16mm Ply. Crome pleted stand pu Lether 32Density foam 18 Guess pipe		
4	Visitor Chair BC668 Model 16mm Ply. Crome pleted stand pu Lether 32Density foam 18 Guess pipe		
5	Visitor Chair BC653 Model 16mm Ply. Crome pleted stand Fabric body 32Density foam 18 Guess pipe		
6	Visitor Chair BC657A Model 16mm Ply. Crome pleted stand Fabric Seat and back, 32Density foam 18 Guess pipe		
7	Visitor Chair BC201 Model Perforated with powder cotting		



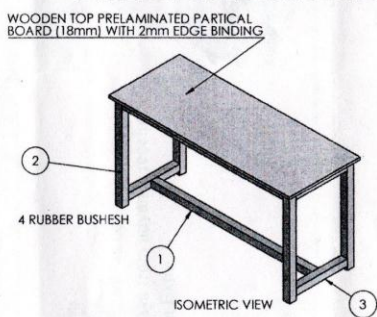
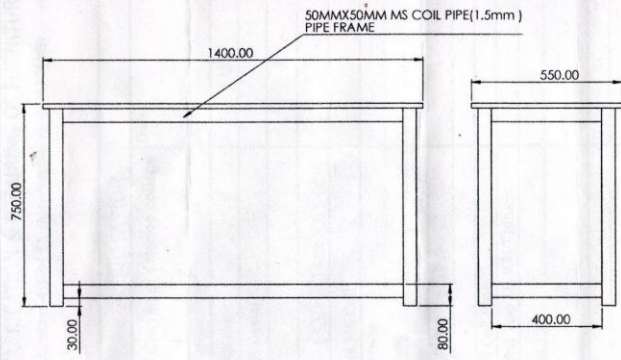
YC COLLEGE BED (74.8" L X 35.43" W X 19.68" H)				
SR. NO.	PART NAME	SIZE IN MM	LENGTH IN MM	QTY. FOR 1 BED
1	PIPE-1	50 X 50	950	4
2	PIPE-2	50 X 50	900	4
3	PIPE-3	50 X 50	850	4
4	PIPE-4	50 X 50	800	4
5	PIPE-5	50 X 50	450	8
6	M.S. PLATE	30 X 3	800	16
7	L-ANGLE	40 X 40	850	8
<b>TOTAL</b>				<b>48</b>

THICKNESS =  
 QUANTITY =

UNLESS OTHERWISE SPECIFIED, DIMENSIONS ARE IN MILLIMETERS  
 FINISH: POLISH AND BROWN GRAY  
 (SEE NOTE SCALE DRAWING) REVISION: 00

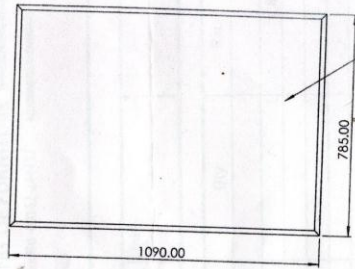


YC COLLEGE TABLE (55.11" L X 29.52" H)					
SR. NO.	PART NAME	SIZE/DIAMETER	SIZE IN mm	QTY REQ FOR 1	TOTAL QTY
1	SQ. PIPE 1	50X50	1250	3	3
2	SQ. PIPE 2	50X50	732	4	4
3	SQ. PIPE 3	50X50	400	4	4
				11	11

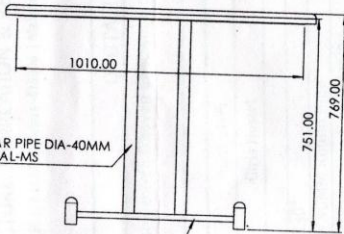


**Ladies Hostel (YCIS) Tender Requirement**

Sr.No	Particulars	Qty	Rate including GST
1	Dinning table		
	Size 43"x30"x30"		
	Specification 40mm Round Pipe		
	40x20mm Rectangle pipe post forming		
	Woden top 18mm 0.6mm Layminete		
2	Only Top		
	Wood bidding		
	Limited		
	Commercial plywood of 18mm		
3	Cantin Chair Omega Wengi Model 100% Molder Fiber chair, Seating height - 19" Total height 33", width 17" Depth 20"		
4	Cantin Chair Lumina Model 100% Molder Fiber chair, Seating height - 18" Total height 35", width 17" Depth 21"		
5	Cantin Chair WebChair Model 100% Molder Fiber chair, Seating height - 19" Total height 33", width 17" Depth 20"		
6	Cantin Chair Oasis Chair Model 100% Molder Fiber chair, Seating height - 18" Total height 33", width 17" Depth 21"		

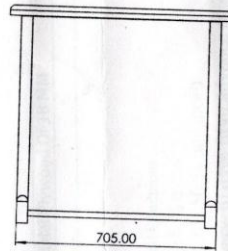


POST FORMING WOODEN TOP  
THICKNESS-18 MM  
WITH-0.6 MM LAMINATOR



CICULAR PIPE DIA-40MM  
MATERIAL-MS

RECTANGULAR PIPE-40MM X 20MM  
MATERIAL-MS



THICKNESS=	
QUANTITY=	

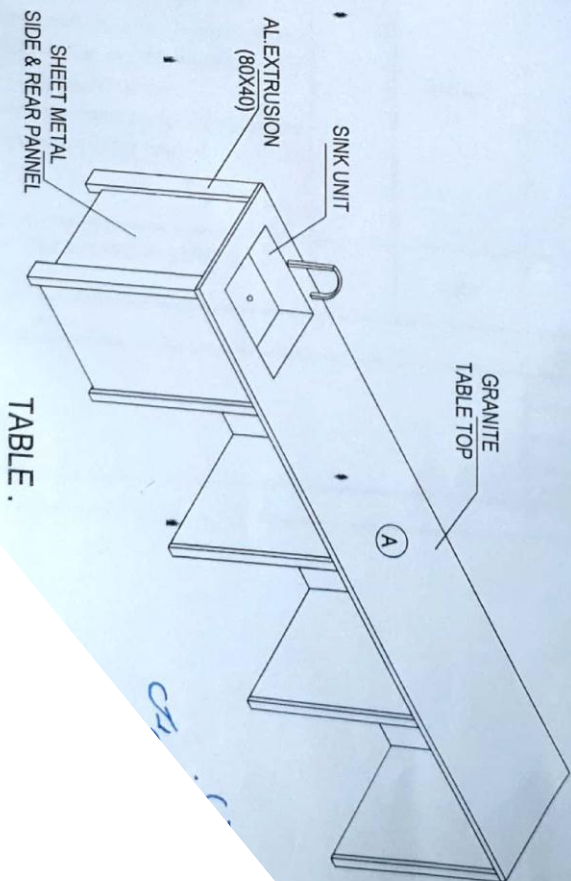
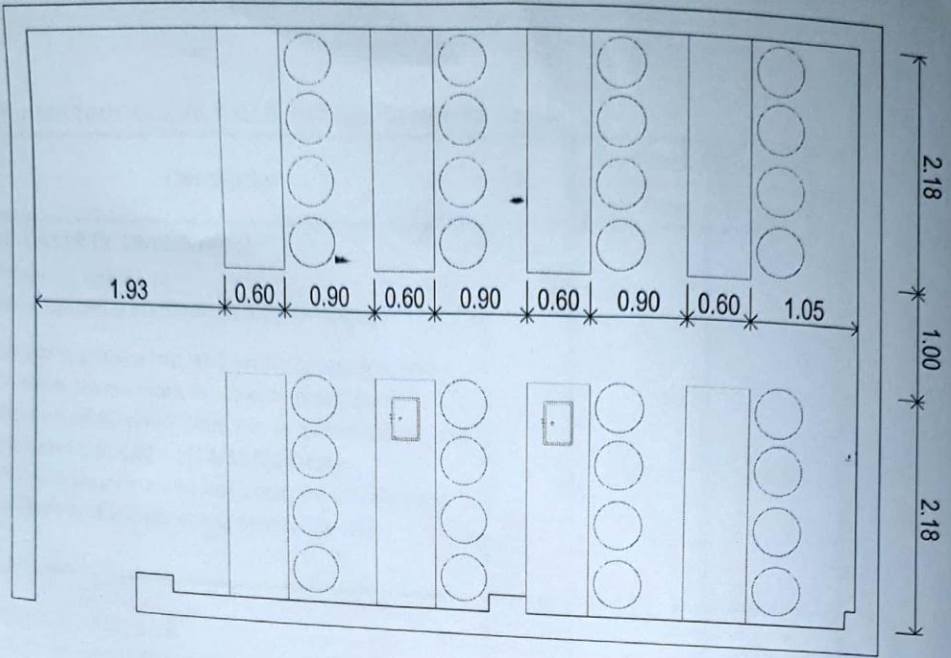
UNLESS OTHERWISE SPECIFIED:  
DIMENSIONS ARE IN MILLIMETERS  
SURFACE FINISH:

FORM AND  
MATERIAL

DO NOT SCALE DRAWING

**Biotechnology Tender Requirement**

Sr.No	Particulars	Qty	Rate including GST
1	<p>Lab Table (2.18m x 0.60m) MODULAT TABLE - OF 2.18m=length,0.60m=width, 0.75m=height With black granite, top, sink with s.s. tap and trap provision, frame work in - Legs in Aluminium Extrusion of 80mmx40mm size in 1.85mm Thick, - All sheet metal in CRCA of 14/18/20 Gauge. Aluminium extrusions and sheet metal components are electro statically epoxy powder coated</p>		
2	<p>MODULAT TABLE - OF 2.18m= length 0.60m= width 0.75m= height. With black granite top, frame work in - legs in aluminium extrusion of 80mmx40mm size in 1.85mm Thick - All sheet metal in CRCA of 14/18/20 gauge. Aluminium extrusions and sheet metal components are electro statically epoxy powder coated</p>		
3	<p>Circular stool with s.s. legs and regsin cushion 0.45dia. And 0.60m height.</p>		



BIO-TECH LAB, ON UPPER FLOOR OF PRINCIPAL CABIN OFFICE, AT C.T.S. NO.533/B, SADARBAZAR, SATARA.  
 OF RAYAT SHIKSHAN SANSTHAS, Y.C.I.S. COLLEGE SATARA.

**ORIGIN DESIGN STUDIO**  
 ARCHITECTS & INTERIOR DESIGNERS  
 34, RAMKRISHNA COLONY, SADAR BAZAR, SATARA  
 CONTACT :- +91-9880057646

